

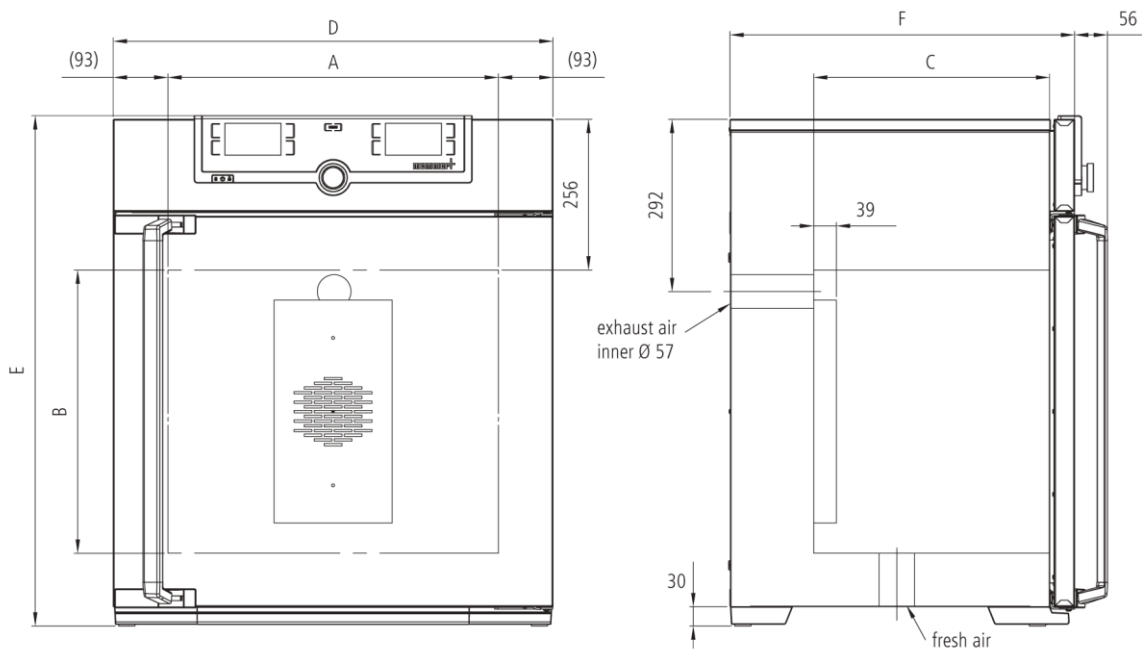


Universal Oven UF110plus

Precise drying, heating, ageing, burn-in and hardening in research, science, industry and quality assurance.



The universally applicable lab oven U is Memmert's classic appliance for temperature control in science, research and material tests in industry. The technologically perfected masterpiece made of high-quality, hygienic, easy-to-clean stainless steel leaves nothing to be desired in terms of ventilation and control technology, overtemperature protection and precisely tuned heating technology. On this page, you can find all the essential technical data on the universal Memmert lab oven. Our customer relations team will be pleased to help if you want further information.



Control of standard components

| | |
|-----------------------|--|
| ControlCOCKPIT | adaptive multifunctional digital PID-microprocessor controller with 2 high-definition TFT-color displays |
| Temperature | 2 Pt100 sensors Class A in 4-wire-circuit, mutually monitoring and taking over the performance at the same temperature value |
| Timer | Digital backwards counter with target time setting, adjustable from 1 minute to 99 days |

Temperature

| | |
|------------------------------------|--|
| Set temperature range in °C | min.10°C above ambient up to +300°C |
| | resolution of display for setpoint values 0.1°C up to 99.9°C, 0.5°C from 100°C and for actual values 0.1°C (LED) |

Control technology

| | |
|------------------------------|--|
| adjustable parameters | temperature (Celsius or Fahrenheit), fan speed, air flap position, program time, time zones, daylight savings time |
| Function HeatBALANCE | adapting the distribution of the heating performance of the upper and lower heating circuit from -50 % to +50 % |
| Function SetpointWAIT | the process time does not start until the set temperature is reached |
| Language setting | German/English/Spanish/French |
| Calibration | three freely selectable temperature values |

Ventilation

| | |
|----------------------------|--|
| Fan | forced air circulation by quiet air turbine, adjustable in 10 % steps for each segment individually |
| Fresh air admixture | adjustment of pre-heated fresh air admixture by air flap control in 10 % steps for each segment individually |
| Vent | vent connection with restrictor flap |

Communication

| | |
|----------------------|--|
| Programming | AtmoCONTROL software on a USB stick for programming, managing and transferring programs via Ethernet interface or USB port |
| Documentation | program stored in case of power failure |

Safety

| | |
|------------------------------|--|
| Alarm | audible and visual |
| Temperature control | overtemperature monitor TWW, protection class 3.1 or adjustable temperature limiter TWB, protection class 2, selectable on display |
| AutoSAFETY | additionally integrated over- and undertemperature monitor "ASF", automatically following the setpoint value at a preset tolerance range, alarm in case of over- or undertemperature, heating is switched off in case of overtemperature |
| Temperature control | mechanical temperature limiter TB, protection class 1 according to DIN 12880 to switch off the heating approx. 20°C above nominal temperature |
| Autodiagnostic system | for fault analysis |

Standard equipment

| | |
|--------------------------|--|
| Door | fully insulated stainless steel door with 2-point locking (compression door lock) |
| Internals | 2 stainless steel grids |
| Scope of delivery | incl. works calibration certificate for +160°C |
| Housing | rear zinc-plated steel |
| Interior | easy-to-clean interior, made of stainless steel, reinforced by deep drawn ribbing with integrated and protected large-area heating on four sides |

Stainless steel interior

| |
|---|
| $w_{(A)} \times h_{(B)} \times d_{(C)}$: 22" x 18.9" x 15.8" |
| Volume 108 l |
| Max. loading of chamber: 385 lbs |

Textured stainless steel casing

| |
|---|
| $w_{(D)} \times h_{(E)} \times d_{(F)}$: 29.3" x 34.1" x 23" |
|---|

Electrical data

| |
|---|
| 230 V (+ / - 10%), 50/60 Hz / 12.2 amps |
| 115 V (+ / - 10%), 50/60 Hz / 15.6 amps |

Packing/shipping data

the appliances must be transported upright

| | |
|------------------------------|---|
| Customs tariff number | 8419 8998 |
| Country of origin | Federal Republic of Germany |
| WEEE-Reg.-No. | DE 66812464 |
| | Dimensions approx. incl. carton W x H x D: 32.7" x 41.3 x 31.5" |
| | Net weight approx. 172 lbs |
| | Gross weight carton approx. 227 lbs |

Standard units are safety-approved and bear the test marks

