

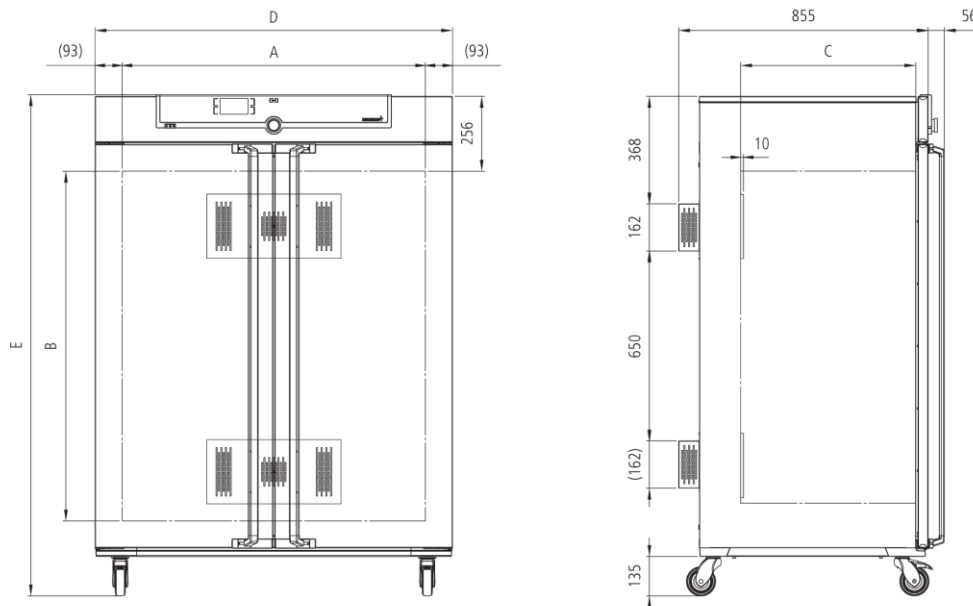


Cooled storage incubator IPS260

Sample breeding and storage in microbiology, food, cosmetics or pharmaceuticals: The cooled storage incubator with Peltier elements lowers operating costs as well as CO₂ emissions.



Download here the dimensioned model sketch and extensive technical data. For long-term storage of samples, the Memmert storage chamber is recommended. Flexibility and technical features of our appliances meet all possible needs. Put us to the test!



Control of standard components

ControlCOCKPIT	adaptive multifunctional digital PID-microprocessor controller with high-definition TFT-color display
Temperature	1 Pt100 sensor DIN class A in 4-wire-circuit
Timer	Digital backwards counter with target time setting, adjustable from 1 minute to 99 days

Temperature

resolution of display for set point and actual temperature values

0.1°C

from +14°C up to +45°C

Control technology

adjustable parameters	temperature (Celsius or Fahrenheit), program time, time zones, daylight savings time
Function SetpointWAIT	the process time does not start until the set temperature is reached
Language setting	German/English/Spanish/French
Calibration	three freely selectable temperature values

Ventilation

forced ventilation by Peltier fan

Communication

Programming	AtmoCONTROL software for reading out, managing and organizing the data logger via Ethernet interface (temporary trial version can be downloaded). USB stick with AtmoCONTROL software available as accessory (on demand).
Documentation	program stored in case of power failure

Safety

Autodiagnostic system	for fault analysis
Temperature control	adjustable electronic overtemperature monitor and mechanical temperature limiter

Heating concept

energy-saving Peltier heating-/cooling system integrated in the rear (heat pump principle)

Standard equipment

Door	fully insulated stainless steel door with 2-point locking (compression door lock)
Door	inner glass door
Scope of delivery	incl. works calibration certificate for +18°C and +25°C
Housing	rear zinc-plated steel
Internals	2 stainless steel grids

Stainless steel interior

$w_{(A)} \times h_{(B)} \times d_{(C)}$: 25.2" x 31.5" x 19.7"
Volume 256 l
Max. loading of chamber: 661 lbs

Textured stainless steel casing

$w_{(D)} \times h_{(E)} \times d_{(F)}$: 32.4" x 46.7" x 30.5"

Electrical data

230 V (+/- 10%), 50/60 Hz / approx. 2.4 amps
115 V (+/- 10%), 50/60 Hz / approx. 4.8 amps

Packing/shipping data

the appliances must be transported upright

Customs tariff number	8419 8998
Country of origin	Federal Republic of Germany
WEEE-Reg.-No.	DE 66812464
	Dimensions approx. incl. carton B x H x T: 36.6" x 54.3" x 36.6"
	Net weight approx. 250 lbs
	Gross weight carton approx. 362 lbs

Standard units are safety-approved and bear the test marks

